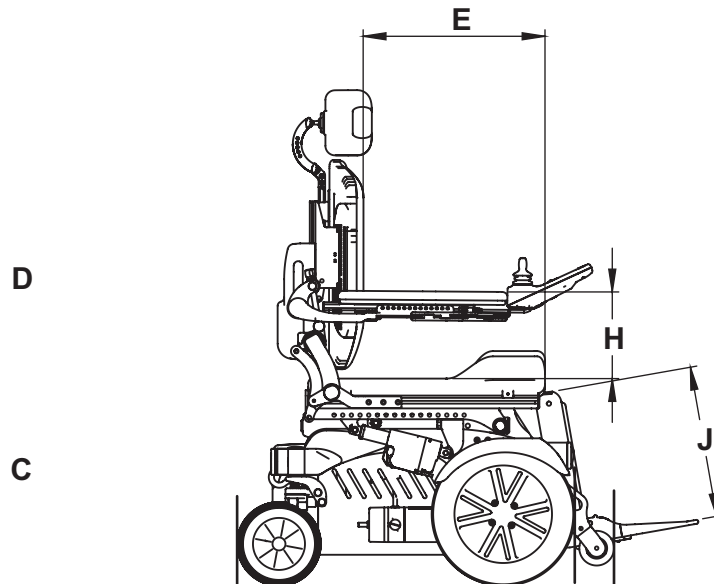
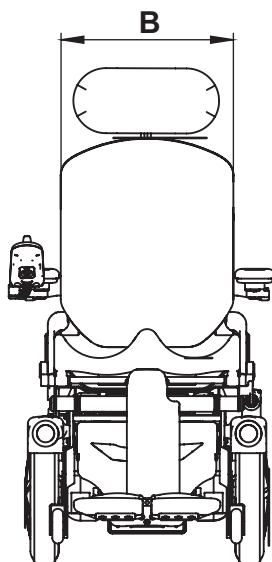




## General Features

Batteries	2x55 Ah sealed type		
Motors	2x350 W		
Chassis	FWD - RWD		
Maximum user weight	80 kg		
Wheelchair mass	Max 125 kg		
Intended use	To provide indoor mobility to person limited to seated position that are capable to operate and drive an electronic wheelchair		
Class [EN 12184]	B - mainly indoor use		
Turning radius	RWD 850 mm FWD 655 mm		
Maximum safe slope	6°	Static stability	9°
Obstacle climbing	50 mm	Hill-climbing ability	9°
Measured sound lever	55 dB		
Range	25 km - this distance will be reduced if the wheelchair is used frequently on slopes, rough ground or to climb kerbs, etc.		
Use as a seat in a motor vehicle	Yes [7176-19 compliant]		
Tie-down	Four points tie-down		



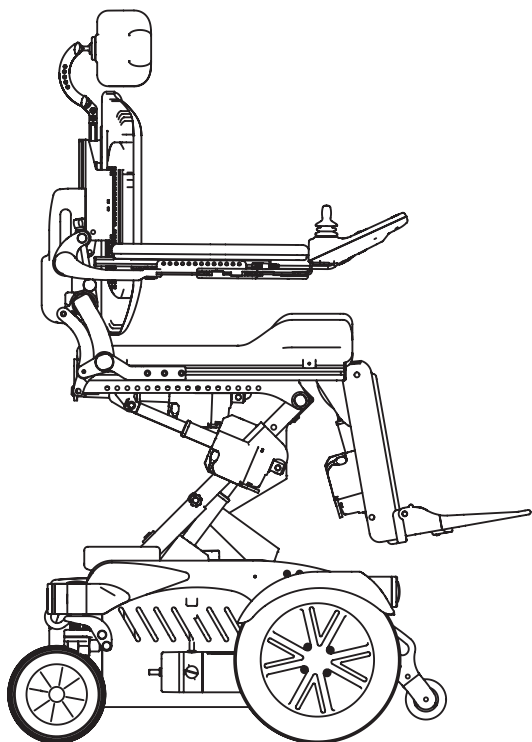
## Dimensions A

A	560 mm
B	M1 280-300 mm M2 320-340 mm M3 360-380 mm M4 400-420 mm
C	470 mm

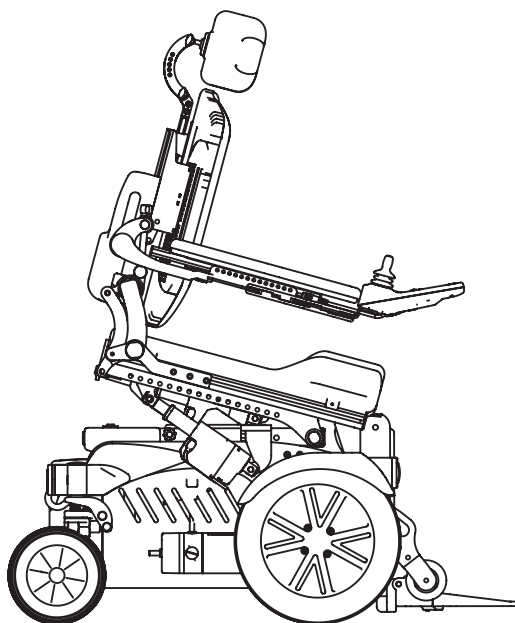
D	M1 340,390 mm M2 390,440 mm M3 440,490 mm M4 440,490 mm
E	M1 340-420 mm M2 380-460 mm M3 420-500 mm M4 440-520 mm

F	780 mm
G	870 mm
H	200-300 mm
J	M1 300-380 mm M2 300-380 mm M3 380-440 mm M4 380-440 mm

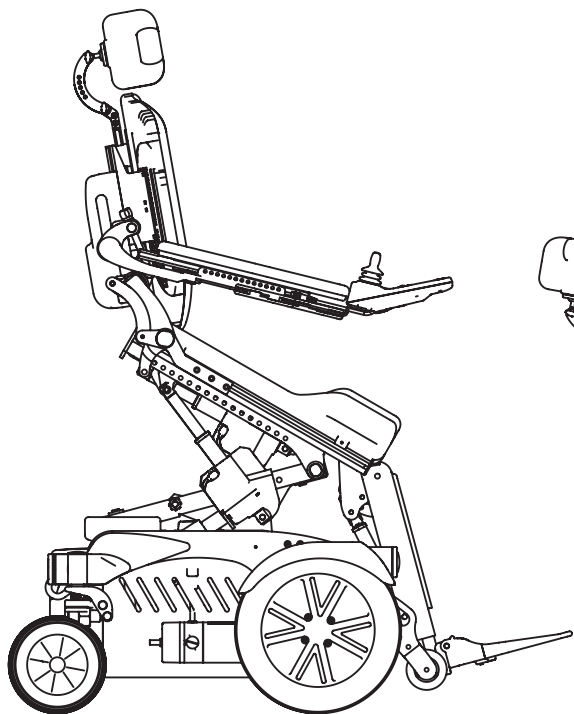
## Examples of seating system movements



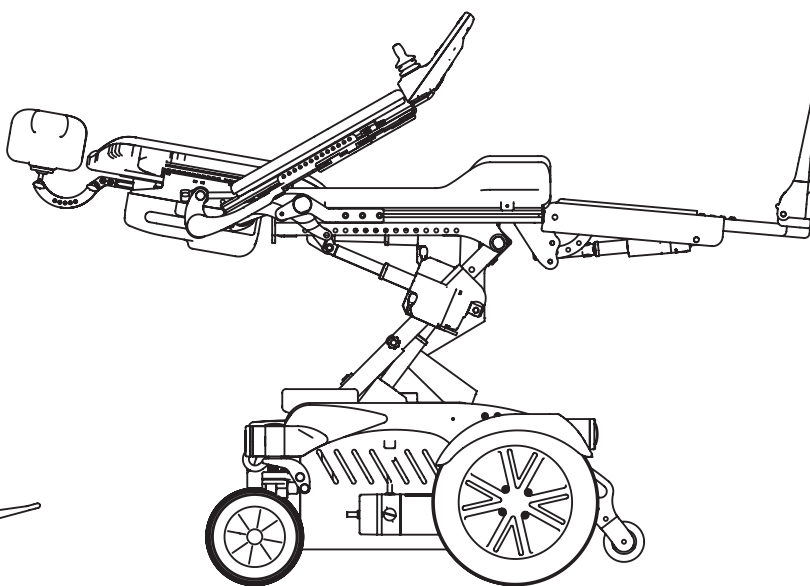
Lift 30 cm



Negative Tilt 10°



Semistanding



Lay Down

## Powered function

Control system	Rnet
Biomechanical Backrest	90°:170° - 100 mm compensation
Biomechanical Legrest	range 80° - 180 mm compensation
Tilt	maximum range 45°: -45°
Lift	300 mm

Customized functions

## Transport and storage informations

If you do not use your EVO3 for a long time make sure that you set the switch OFF. You should keep the EVO3 in a place free from dust and moisture and away from heat sources.

If you need to transport the EVO3, turn off the switch.

For the transport be sure that the vehicle is approved for this purpose and set the brake release levers in right position (UP, brakes engaged).

The wheelchair can't be folded or dismantled for storage or transport.

## Other information

There is no parts of the wheelchair expected to be removed without use of tools that could affect the normal behavior of the wheelchair.

Type of tyres	Drive wheels: Pneumatic wheel: 300 mm Castor wheels: Pneumatic wheel: 200 mm
---------------	---

The Rnet power module is a programmable system that controls both driving performances and seating movements. **Programming must be conducted only by qualified personnel with in-depth knowledge of the wheelchair and Rnet system. Any change may result in a hazardous situation for the user.**

The wheelchair has the possibility of many adjustments to best suit the specific user (armrests, legrest, backrest, seat depth). To perform these adjustments they are required a 4 mm allen wrench, a 5 mm allen wrench and a 8 mm open-end wrench. These adjustments can be made by the vendor or by an assistant of the user. The user can select the drive profile choosing between indoor and outdoor profile. This choice will affect driving performance.

The wheelchair isn't intended to be dismantled and there is no removable parts that has a mass which is heavier than 10 kg.

### **ELECTROMAGNETIC RADIATION DANGER**



The behavior of the wheelchair while driving may be affected by electromagnetic field created by transceivers such as: Citizens band (CB) radios, walkie-talkies, fire and police radios, cellular phones, lap-top computers, two-way radios, and commercial radio and television broadcast antennas.

PLEASE USE CAUTION in the presence of these devices.

EMI can cause your chair, without warning, to:

- Release its brakes
- Move by itself
- Move in unintended directions

If any of these occur, it could result in severe injury to you or others. EMI can damage the control system of your chair.

There is no way to know the effect on EMI if you add accessories or modify this chair. Any change to your chair may increase the risk of EMI. Parts from other suppliers have unknown EMI properties.

**The wheelchair might disturb the operation of devices in its environment that emit electromagnetic field**

# Maintenance informations

Regular maintenance help to preserve functionality and safety of the Evo3. The lack or inadequacy of care and maintenance implies a limitation of the warranty from the manufacturer.

To clean the chair don't use any device to spray water at high pressure and in any case protect the control device from water and humidity. For plastic or metal parts use a soft cloth moistened with a non-aggressive detergent. For pads and covers use warm water and mild detergent. Do not use chemical cleaners, solvents, acids, etc. Tires can be cleaned with water and detergent.

The wheelchair isn't intended to be disinfected.

CHECK	PERIOD	NOTE
Battery charge level	Before each utilize	Check the battery charge level on the indicator located on the joystick.
Electric cables obstacle	Before each utilize	Check that the wires do not interface with the movements of the wheelchair.
Tightening of removable parts	Before each utilize	Ensure all removable parts are securely locked in place.
Tire pressure	Weekly	Verify that the tire pressure is consistent with the given values: <b><u>DRIVE WHEELS: 280 kPa</u></b> <b><u>CASTOR WHEELS: 250 kPa</u></b> <b><u>Overfilling can cause a risk of explosion</u></b>
Lights check	Weekly	Verify that all lights and indicators work properly and are clean. <b>This point can apply only if you have lights on your wheelchair</b>
Cleaning of wheelchair	Monty	Clean the wheelchair and the upholstery according to the instructions of this manual
Brake release lever check	Monty	Check that the brake release is working properly
Tire usury	Monty	Check for the tire usury and if necessary contact an authorized service center for the replacement
Checking tightness of chassis screws	Annual	For this operation please contact an authorized service center

## MODIFICATIONS

**Any unauthorized modifications to the wheelchair may increase the risk of personal injury and damage to the wheelchair. All modifications should be done by an authorized service center.**

**Do not use any unauthorized accessories or spare parts on the wheelchair. Do not use the wheelchair in combination with other medical devices without first having considered any risk due to the combination of more products.**

## AUTHORIZED SERVICE CENTER

For any need not expressly explained in this manual, please contact an authorized service center.

For a list of authorized service center please contact the manufacturer:

**Neatech.it**

4/A, A. de Curtis, 80040, Cercola (NA), Italy

[www.neatech.it](http://www.neatech.it) – [info@neatech.it](mailto:info@neatech.it) - +39 081 555 1946