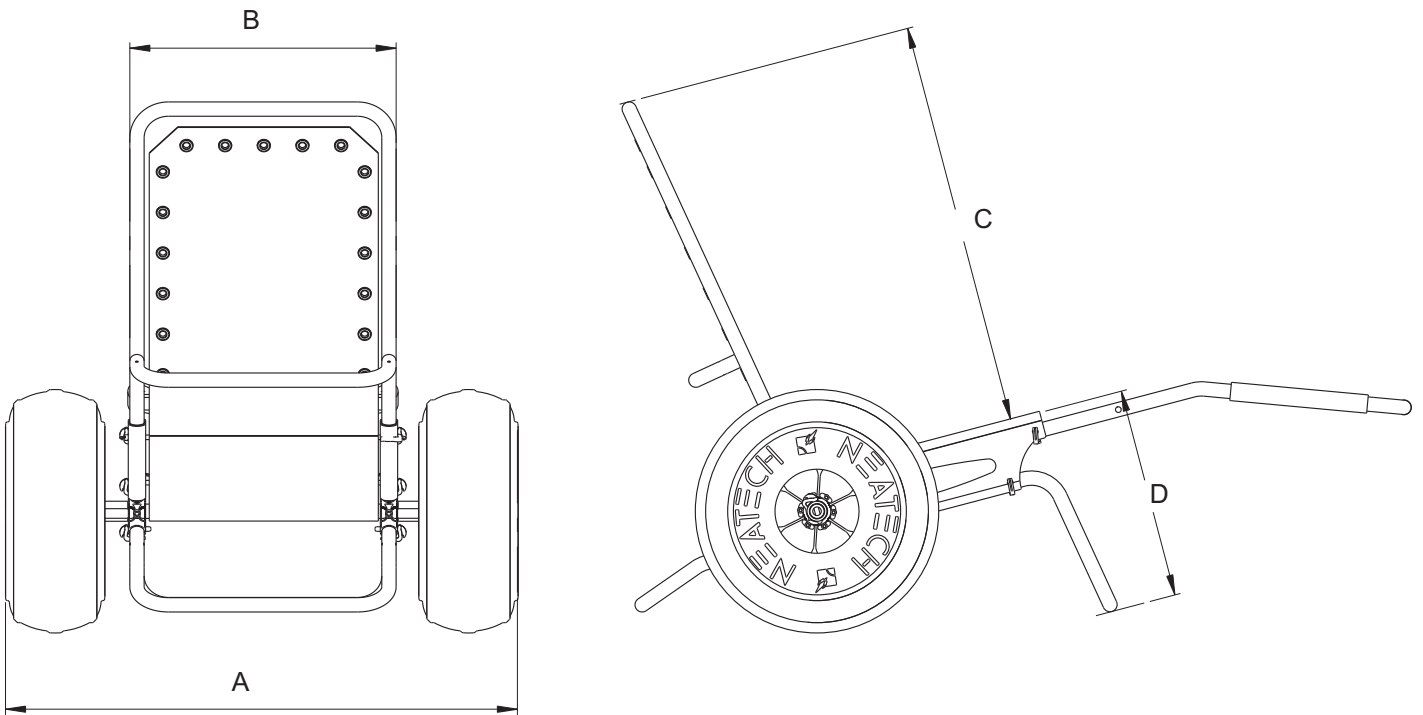


### GENERAL FEATURES

Maximum user weight **125 kg**  
 Empty weight **chassis 7 kg, wheels 3 kg**  
 Maximum safe slope **10°**

Aluminum chassis  
 40 mm pneumatic wheels with sealed joints.

### TECHNICAL INFORMATION



A	B	C	D
TOTAL WIDTH [cm]	SIZE [cm]	BACKREST HEIGHT [cm]	SEAT HEIGHT [cm]
90	46.5	71	38

These information may vary according to the specific customization of each wheelchair.