

Luna IPx4

Ceiling hoist / lift with multiple solutions

A great product has been made even better still. The innovative Luna ceiling hoist / lift with its unique Scandinavian design and excellent functionality has been upgraded to include many new and advanced features.

New features: The Luna is now IPx4 tested for wet environments allowing safe transfers in bathrooms free of the risk of lift failure if the unit is inadvertently showered with water. The hand controls are both IPx4 & IPx7 tested, tolerating exposure to showering and full immersion in water, respectively. In addition to the standard powered emergency lowering function on the hand control, there is now a second emergency manual lowering function on the Luna itself, easily operated in the unlikely event of a complete lift failure. Finally, there is the new screw lock connector, a secure and reliable mechanism to hook up the hand control to the Luna lift.

A truly unique Luna feature, which differentiates it from the competition, is its ability to be used as either a fixed or portable ceiling hoist in one and the same unit. Simply reverse the Luna unit, select the appropriate spreader bar, and fixed Luna becomes portable Luna and visa versa. This is a cost effective incentive for institutions who need only invest in only one modular model to cover all their lifting requirements. Another distinctive Luna feature is the unique quick release mechanism: a simple twist and turn movement detaches the lift from the track in just a matter of seconds, without tools.

Combine Luna with Ergolet's extensive programme of ceiling and unique wall mounted tracks, and you have a system providing complete lifting and transfer solutions to meet the latest requirements in the health care sector.

Other noteworthy features include: Ergolet's patented spreader bar and sling hook system ensuring safe and simple sling attachment, and the ergonomic hand control with its charging function and optional top or bottom cable exit.

Key standard functions

IPx4 tested for wet environments

Weight capacity of 200kg / and 275kg.

One lift: fixed or portable options in the same modular design.

Emergency lowering functions on hand control & Luna motor.

Charging through the ergonomic hand control on wall mounted docking station.

Patented Ergolet sling hooks.





Combine Luna with Ergolet's extensive programme of ceiling and unique wall mounted tracks



New improved screw lock connector on hand control & motor.



IPx7 hand control tolerates immersion in water.



Options for top or bottom cable on IPx4 hand control. It is also possible to select the length of the cable.



Manual emergency lowering functions: powered on hand control and manual on Luna motor.



1 Sling attachment: a minimum of downward pressure locks the sling hook.

2 Pull upwards to unlock sling hook.

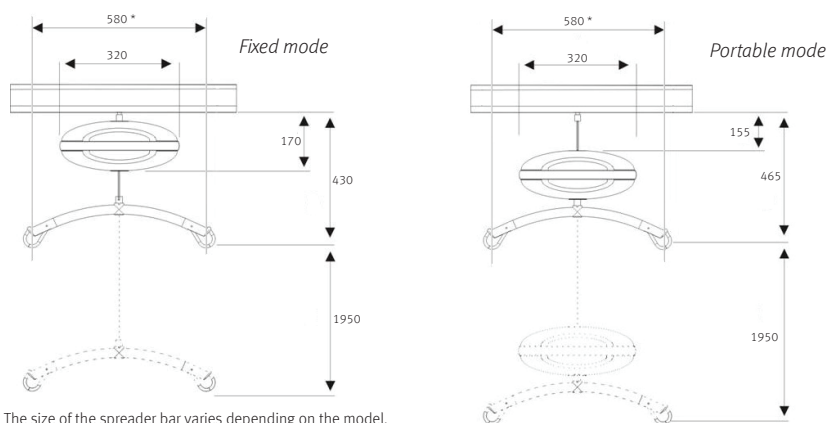
Version	Item no.
LunalPx4/200 kg, portable (strap) – white / grey	015-03020/015-03021
LunalPx4/275 kg, portable (strap) – white / grey	015-03022/ 015-03023
LunalPx4/200 kg, fixed (bayonet) – white / grey	015-03026 / 015-03027
LunalPx4/275 kg, fixed (bayonet) – white / grey	015-03028 / 015-03039
LunalPx4/200 kg, fixed (bayonet), 2 ports – white / grey	015-03031 / 015-03032
LunalPx4/275 kg, fixed (bayonet), 2 ports – white / grey	015-03033 / 015-03034
LunalPx4/200 kg, room to room – white / grey	015-03035 / 015-03036
LunalPx4/270 kg, room to room – white / grey	015-03037 / 015-03037
Accessories	Item no.
Hand control IPx4 with cable on top*	015-03105
Hand control IPx4 with cable on bottom*	015-03101
Hand control IPx7*	015-03109
2, 3, 4 – points spreader bars	Contact Ergolet
Wide sling range	Contact Ergolet
Weigh scale	Contact Ergolet
Extension strap in various lengths	Contact Ergolet

*List of accessories can be modified.

TECHNICAL SPECIFICATION

Max. capacity	200 kg/275 kg
Length of lifting strap	2200 mm
Weight	6,7 kg w/o spreader bar
Measurements	320 x 130 mm
Battery operation	36 V, lead acid batteries
Charging	100- 240 V, 0,5 A
Chassis	Aluminium
Housing	High impact, moulded ABS
Noise	Lwa during lifting/lowering without load is 48dB(A) Lwa during lifting/lowering at maximum load is 52dB(A)
Lifting speed down	44 mm/sec with 89 kg load
Lifting speed up	30 mm/sec with 89 kg load
No. of lifts per charge	50 lifts of 0,5m with 100 kg
Protection class	IPx4

- Soft start and stop motor control
- Electrical and manual emergency lowering
- Electrical emergency stop
- Low battery indicator (visual LED)
- Charging indicators
- Power on indicators
- Overload protection
- Emergency brake system



* The size of the spreader bar varies depending on the model.

Consult the Technical manual for further specifications. All figures and measurements are for guidance only and may differ in actual situations. Ergolet reserves the right to changes without notice.

Product photos may include accessories. Consult your dealer.



date 19.03.2014 - ver.4

Ergolet
Taarnborgvej 12C
4220 Korsoer
Denmark
tel. +45 70 27 37 20
e-mail: ergolet@ergolet.dk



www.ergolet.com