

The image shows the Ergolet Mobile Flex 2-post system, a white, adjustable lifting frame. It consists of two vertical posts on a wheeled base, connected by a horizontal beam. The posts are telescopic, allowing for height adjustment. The beam is also telescopic, allowing for width adjustment. The system is designed for use with a ceiling lift. The Ergolet logo is visible on the top of the posts.

# Mobile Flex

## 2-post system

Height & width adjustable 2-post system

### Primary application

Home care  
Institutional  
Hospital

Suitable for people who need an immediate and/or temporary lifting solution that can be easily and simply fitted, used and removed. The Mobile Flex is easy to assemble. No tools are required to adjust the height and width to provide reliable temporary solutions.

Adjusting the height via gas spring is carried out in just a few seconds providing immediate use for the carer and client. The telescopic tracks give enough lifting height to provide solutions that are suitable for most care rooms and most transfer situations.

The Mobile Flex is when combined with Ergolet's innovative Luna ceiling lift, is a simple and functional lifting system and the ideal choice for either home care or institutional use.

The Mobile Flex provides a lifting capacity up to 275kg thus utilizing the full range of the Luna ceiling lift.

### Key standard functions

- Weight capacity of 275kg
- Two models: Mobile Flex 3000 & 4000
- Telescopic width adjustability
- Instant height adjustment assisted by gas spring
- Mounted on wheeled base
- Easy assembly and adjustments
- Utilizes full functionality of the Luna ceiling lift
- Only 1150 mm in depth
- Bayonet cart as standard

### Accessories

Bayonet to strap fitting





Easy to adjust width without using tools



Two sets of wheels with brakes. Simply step on the pedal to activate the brake.



Luna ceiling lift mounted on the Mobile Flex



instant height adjustment (gas spring mechanism). A simple user guide is placed above the handle.

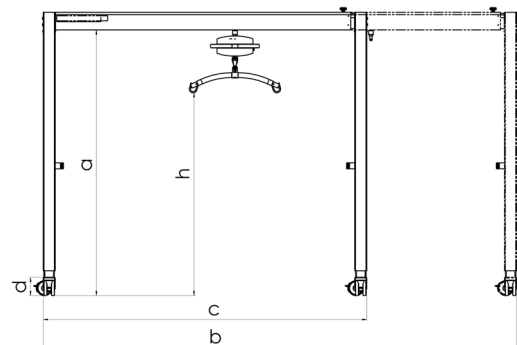
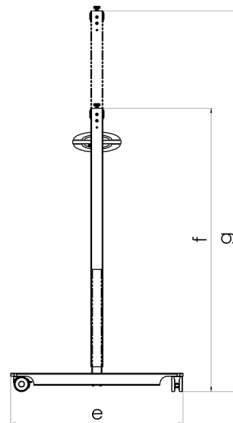
## PRODUCT HIGHLIGHTS

- Practical design and simple functionality
- Full width adjustability to maximise room coverage
- Easy assembly
- Quick height and width adjustment
- Easy to clean

Version	Item-number
Mobile Flex / 3000	016-01147
Mobile Flex / 4000	016-01148
Accessories	
Bayonet to strap fitting	-

## TECHNICAL SPECIFICATION

	Mobile Flex / 3000	Mobile Flex / 4000
Max. load	275 kg	275 kg
a	1773,5 mm	1773,5 mm
b	2160 mm	3160 mm
c	3160 mm	4160 mm
d	122 mm	122 mm
e	1150 mm	1150 mm
f	1891 mm	1891 mm
g	2541 mm	2541 mm
h	1770-2420 mm	1770-2420 mm



Consult the Technical manual for further specifications. All figures and measurements are for guidance only and may differ in actual situations. Ergolet reserves the right to changes without notice.

Product photos may include accessories. Consult your dealer.



date 07.01.2014 - ver. 5

Ergolet  
 Taarnborgvej 12C  
 4220 Korsoer  
 Denmark  
 tel. +45 70 27 37 20  
 e-mail: ergolet@ergolet.dk



[www.ergolet.com](http://www.ergolet.com)