

Pallas/150

Compact stand-aid

Primary application

Home care
Nursing homes
Hospital

Ergolet Pallas 150 is probably the most compact stand aid on the market today making it the ideal choice for home care use, while still being suited for nursing home or hospital use.

Despite its small size the Pallas can lift both short and tall people who, to some extent, can actively assist during the transfer. The lifting pattern is close to the natural way of standing up ensuring that the user is transferred safely and comfortably.

The multi adjustable knee support ensures optimum comfort and support when lifting users of different heights.

Remove the foot tray and a seated sling transfer can be made with the knee support providing added comfort and security. Remove both knee support and foot tray and the unit can be used for gait training.

The stand aid can be used as a mobile lifter.

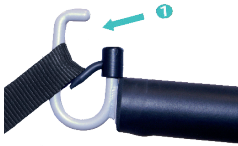
Key standard functions

Compact size
High weight lifting
On board charging
Large capacity batteries
Electrical emergency lowering function

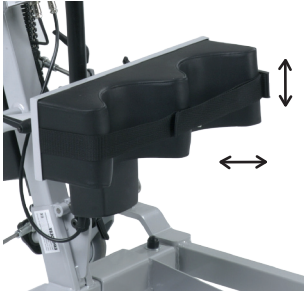
Accessories

Complete selection of lifting slings
Choice of foot platforms
Handgrips
T-grip





Sling attachment.



Multi adjustable knee support for increased comfort.



T-grip



Seat sling for better posture.



Add on handles.

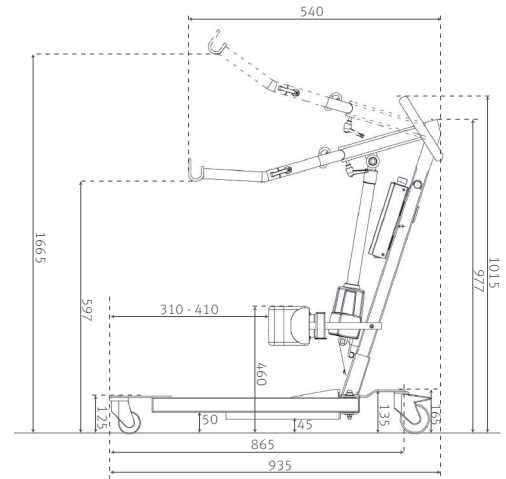
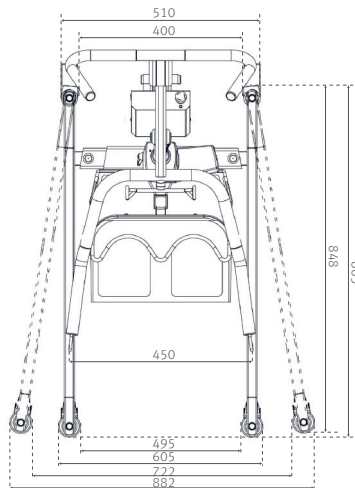
PRODUCT HIGHLIGHTS

- Class leading compact size
- Knee support adjustable in height, angle and depth
- Foot plate blocks for increased height
- Ergonomic handles with several gripping positions
- Low friction wheels
- Electrical emergency lowering.

| Version | Item-number |
|-------------------------------------|-------------|
| Pallas 150 manual leg spreading | 011-01526 |
| Pallas 150 electrical leg spreading | 011-01528 |
| Accessories | |
| Foam platform 5 cm | 750-33010 |
| Foam platform 10 cm | 750-33015 |
| Add on handles for lifting arm | 017-00010 |
| T-grip | 017-00001 |
| Foot holders | 017-01420 |
| Seat sling - Medium | 007-03401 |
| Seat sling - Large | 007-03400 |

TECHNICAL SPECIFICATION

| | |
|-------------------------------|---------------------|
| Max. load | 150 kg |
| Lifting interval min/max | 597 / 1665 mm |
| Width external , base min/max | 605 / 882 mm |
| Width internal, base min/max | 495 / 722 mm |
| Knee support adjustment | 310 / 410 mm |
| Chassis height front/back | 125 / 165 mm |
| Length of legs | 865 mm |
| Lifting method | Electrical |
| Leg spreading method | Manual / Electrical |
| Emergency lowering | Electrical |
| Emergency stop | Electrical |
| Turning radius | 1025 mm |
| Wheel diameter front/back | ø75 / ø100 |
| Total weight | 45kg |
| Weight heaviest single part | 15kg |



Consult the Technical manual for further specifications. All figures and measurements are for guidance only and may differ in actual situations. Ergolet reserves the right to changes without notice.

Product photos may include accessories. Consult your dealer.



date 02.04.2014 - ver. 6

Ergolet
 Taarnborgvej 12C
 4220 Korsoer
 Denmark
 tel. +45 70 27 37 20
 e-mail: ergolet@ergolet.dk

www.ergolet.com

