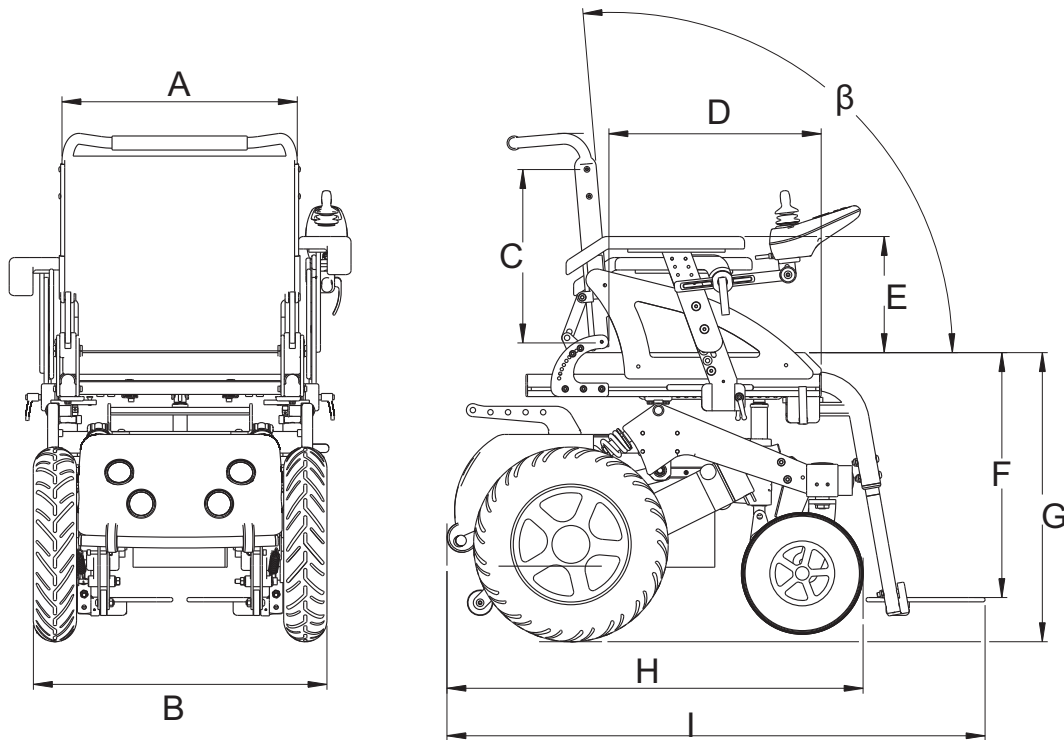


GENERAL FEATURES

Maximum user weight	150 kg	Obstacle climbing	100 mm
Empty weight	130 kg ver. 66 80 kg ver. 55	Maximum speed	10 km/h
Maximum safe slope	22%	Range	45 km
Wheels	Front Ø360 mm Rear Ø252 mm ver. 66, Ø225 mm ver 66	Motors	2x350 W

TECHNICAL INFORMATION



TYPE	A SIZE [cm]	B TOTAL WIDTH [cm]	C BACKREST HEIGHT [cm]	D SEAT DEPTH [cm]	E ARMREST HEIGHT [cm]
Speedstar 55	36-44	55	40-60	40-46	30-35
Speedstr 66	42-48	66			
TYPE	F LEGREST LENGHT [cm]	G SEAT HEIGHT [cm]	β BACKREST ANGLE [°]	H TOTAL LENGHT [cm]	I TOTAL LENGHT WITH LEGREST [cm]
Speedstar 55	30-44	50	90-135	77	100
Speedstr 66				79	108

These information may vary according to the specific customization of each wheelchair.